

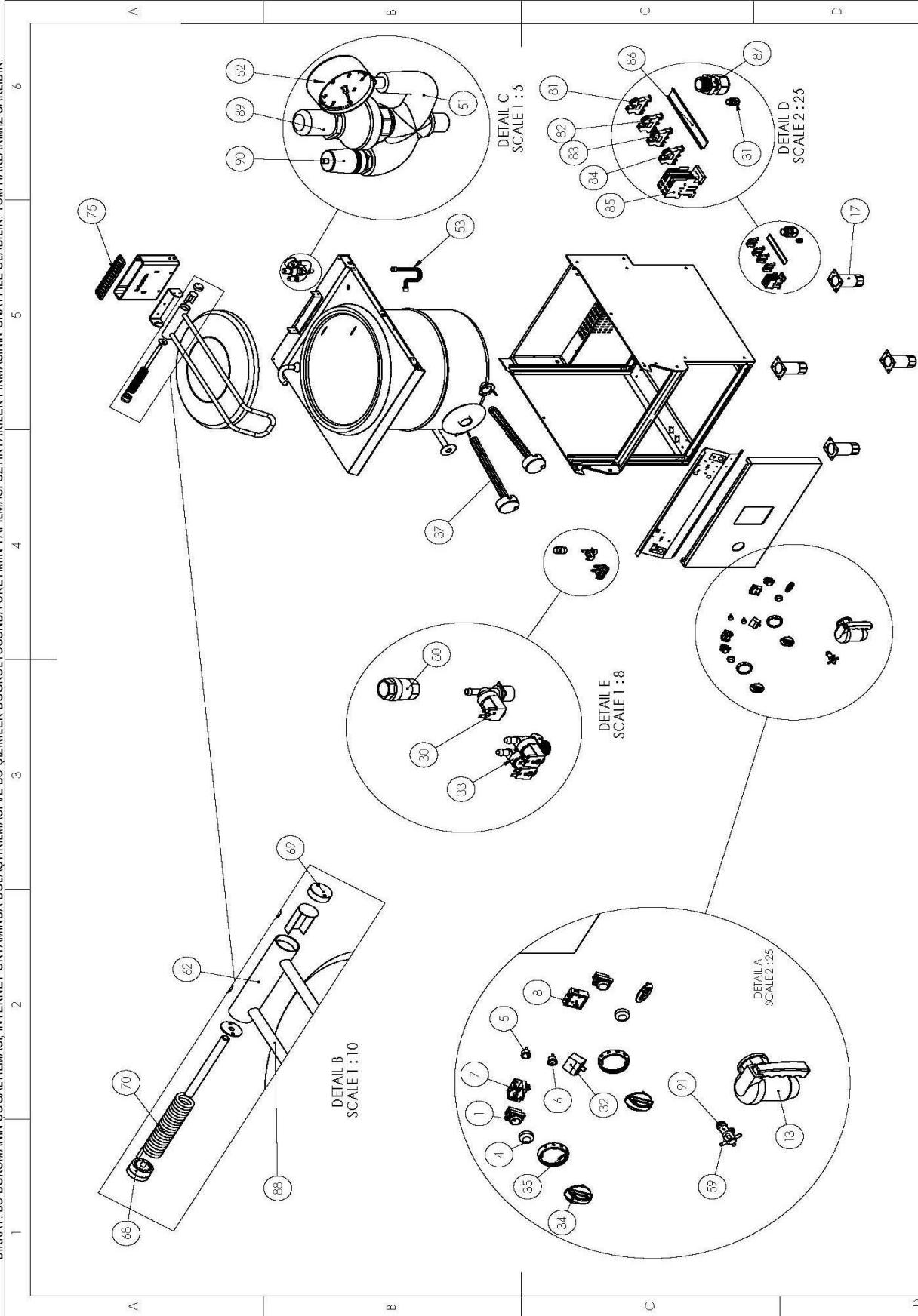


## SPARE PART LIST

Spare Part ItemCode	Item name.	PictureId
6232.00012.08	Moeller Button Top DR-G	1
9099.33561.00	DRAIN TAP R2"	13
6260.00002.10	ADJUSTABLE FEET	17
6262.00008.00	3/4 PLASTIK VENTILLE	30
6259.00003.10	CABLE GLAND PG 21	31
6234.00001.27	SAFETY THERMOSTAT 230 C	32
6258.00003.00	SELENOID VALVE R3/4" SINGLE IN DOUBLE OUT 220V WITH PLASTIC FLANGE	33
6260.00015.45	THERMOPLASTIC KNOB MAIN BODY WITH 6 mm INSERT	34
6260.00015.49	THERMOPLASTIC KNOB SCALE WITH "O" MARKED FOR "OK"	35
9099.01000.06	Boiler Resistance 9 KW	37
6251.00004.30	SIGNAL LAMP BLACK BODY GREEN LENS NEON 100K-220V	5
9099.GR200.SV	BUHAR BASINÇ GÜVENL K VALF KOMPLE (ÇATAL/VALF/MANOMETRE) TAPPON GR200	51
6267.00019.03	FLEXIBLE GAS PIPE FOR INDIRECT BOILING PANS R1/2" x 300 mm L	53
6222.00009.05	KNOB FOR WATER LEVELLING TAP OF INDIRECT BOILING PANS	59
6251.00004.31	SIGNAL LAMP BLACK BODY RED LENS NEON 100K-220V	6
2855.N30.GR002.MK	60-100-150 LT KAYNATMA TENCERES KAPAK KALDIRMA MEKAN ZMASI GRUBU	62
6232.00027.02	4 POS. SELECTOR SWITCH RTH D01	7
6260.00058.96	FLUE COVER CAST IRON WITH CERAMIC ENAMEL COATED FOR ALL 700&900	75
6234.00001.11	ENERGY REGULATOR	8
6222.00027.12	CEKVALF DUZ 1/2 PRINC AGA MARKA	80
6248.00010.01	Electric Terminal Rail Nu 6(Grounding)	81
6248.00011.15	KLEMENS AVK 10 MAVI	82
6248.00011.11	KLEMENS AVK 16 BEJ	84
6230.00014.32	CONTACTOR 25-10 220V AC MOELLER 11 KW	85
6248.00022.00	RAIL FOR TERMINAL ST	86
6259.00003.13	CABLE GLAND PG 29	87
6222.00009.04	WATER TAP FOR LEVELING	91



DİKKAT: BU DÖKÜMANIN COĞALTILMASI, İNTERNET ORTAMINDA DOLAŞTIRILMASI VE BU ÇİZİMLER DOĞRULTUSUNDA ÜRETİMİN YAPILMASI ÖZTİRYAKLER FİRMANININ ONAYI İLE OLABİLİR. TÜM HAKLARIMIZ SAKLIDIR.



RİSD	BİM	İMCA	TARİHİ	MATERİYAL	TOLERANS	ÖZTİRYAKLER
ÇİZEN	E.BAŞTUĞ		29.11.2012		DIN 7168	YENİ 100 LT ELEKTRİKLİ İNDİREKT TENCERE
KONTROL	MAHACI		29.11.2012		ORTA	
ONAY	MAHACI		29.11.2012			
REVİZYON	REVİZYON	1	ÖLÇEK	1:100	T. RESİM NO	
AGIRLIK(GR.)	97.187,47	KALINLIK				
TÜM ÖLÇÜLER mm ÇİNSİNDİR						

ARGE  
KONTROLLÜ KOPYA

V13.01